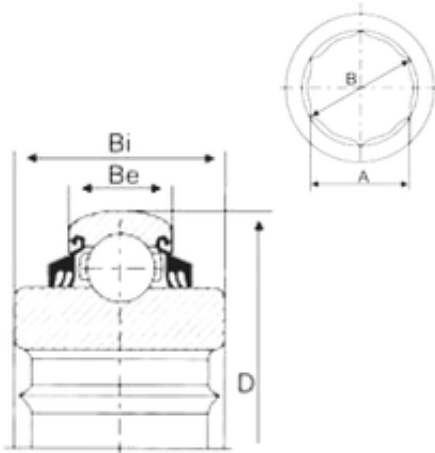




Metallurgy Heavy Bearing Manufacturin...

43,94 mm x 85 mm x 30 mm 43,94 mm x 85 mm
x 30 mm CYSD G209KPPB2 CYSD Bearing



Bearing No. G209KPPB2

Size	43.94x85x30 mm
Bore Diameter	43,94 mm
Outer Diameter	85 mm
Width	30 mm
d	43,94 mm
D	85 mm
B	30 mm
C	19 mm
Be	19 mm
Bi	30 mm
A	38,13 mm

G209KPPB2 Bearing 2D drawings and 3D CAD models